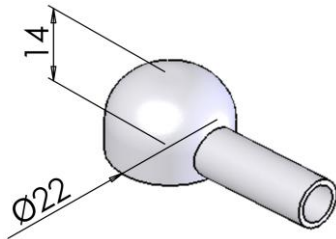
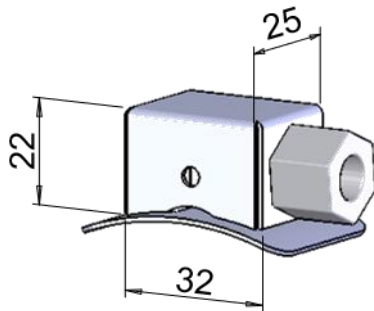


CONNECTION BOXES



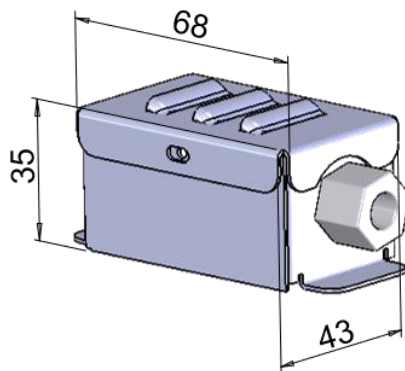
Connection cap

- Material: brass or 1.4301
- Outlet direction optional:
radial, axial, tangential (3°; 15°; 30°; 45°; 60°)
- In general, with protective conductor
- Directly crimped (not available with connecting block)
- The connection cap is welded plastic-tight
- Maximum cable cross-section: 1 mm²



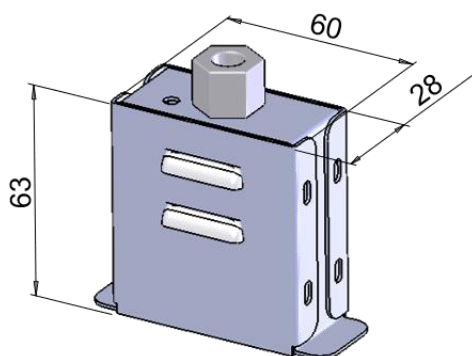
Terminal Box 1

- Material: St37-FAL or 1.4301
- Variant with PG7
Outlet direction optional:
radial, axial, tangential
- In general, with protective conductor
- Directly crimped (not available with connecting block)



Terminal Box 2

- Material: St37-FAL or 1.4301
- Variant with PG7 – PG29
Outlet direction optional:
axial, tangential
- In general, with protective conductor
- Variant with 2-pole terminal block
or crimped directly; motor terminal board possible
(adjustment of external dimensions required)



Terminal Box 3

- Material: St37-FAL or 1.4301
- Variant with PG7 – PG29
Outlet direction optional:
radial, axial, tangential
- In general, with protective conductor
- Variant with 2-pole terminal block
or crimped directly; motor terminal board possible
(adjustment of external dimensions required)

Dimensions in mm