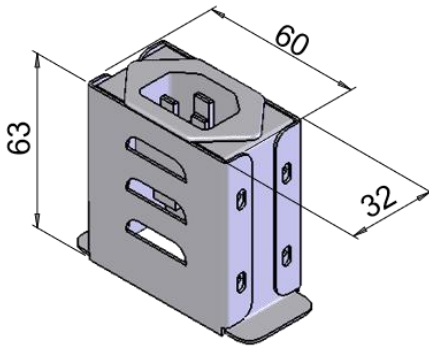
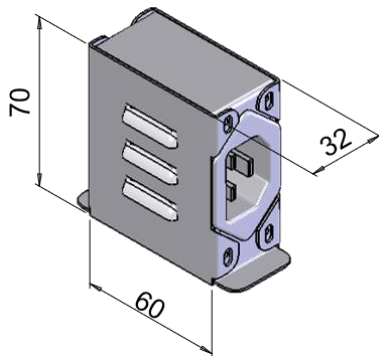


CONNECTOR PLUGS



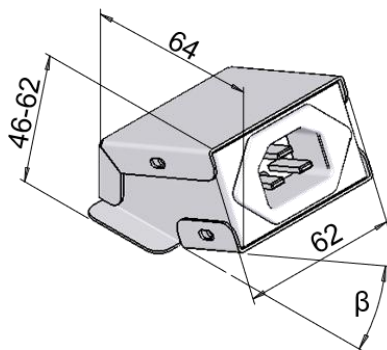
Connector plug 1
 Type STE

- Material: St37-FAL or 1.4301
- In general, with protective conductor
- Voltage U_{\max} 250 V
- Amperage I_{\max} 16 A



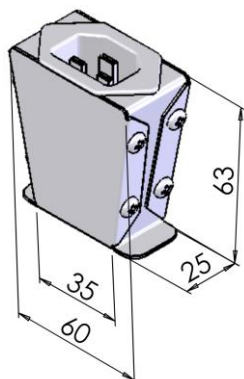
Connector plug 2
 Type STE

- Material: St37-FAL or 1.4301
- In general, with protective conductor
- Voltage U_{\max} 250 V
- Amperage I_{\max} 16 A



Connector plug 3
 Type STE

- Material: St37-FAL or 1.4301
- In general, with protective conductor
- Design in $\beta = 21^\circ$ and 45°
- Voltage U_{\max} 250 V
- Amperage I_{\max} 16 A



Connector plug 4
 Type STE

- Material: St37-FAL or 1.4301
- In general, with protective conductor
- Design: conical
- Voltage U_{\max} 250 V
- Amperage I_{\max} 16 A