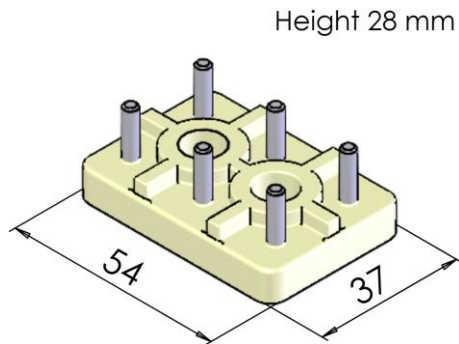
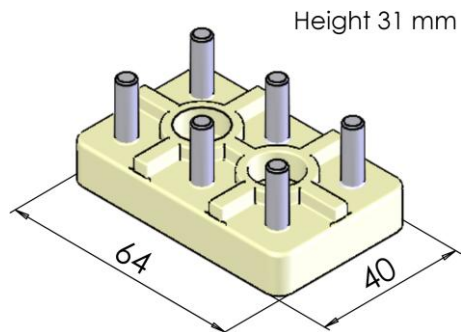


MOTOR TERMINAL BOARDS



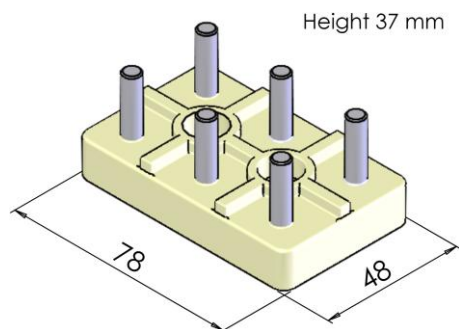
6-pole motor terminal board M4

- Ceramic body, temperature-resistant up to 500 °C
- Voltage U_{\max} 500 V
- Amperage I_{\max} 10 A
- Connection via cable lugs 4.5 mm (pure nickel is recommended)



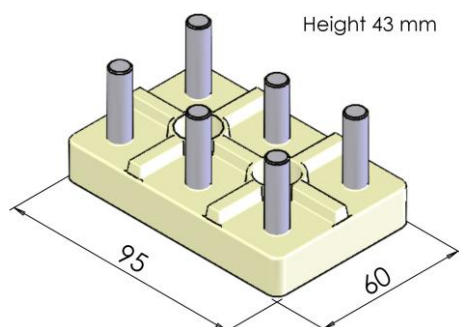
6-pole motor terminal board M5

- Ceramic body, temperature-resistant up to 500 °C
- Voltage U_{\max} 500 V
- Amperage I_{\max} 16 A
- Connection via cable lugs 5.5 mm (pure nickel is recommended)



6-pole motor terminal board M6

- Ceramic body, temperature-resistant up to 500 °C
- Voltage U_{\max} 500 V
- Amperage I_{\max} 26 A
- Connection via cable lugs 6.5 mm (pure nickel is recommended)



6-pole motor terminal board M8

- Ceramic body, temperature-resistant up to 500 °C
- Voltage U_{\max} 500 V
- Amperage I_{\max} 40 A
- Connection via cable lugs 8.5 mm (pure nickel is recommended)