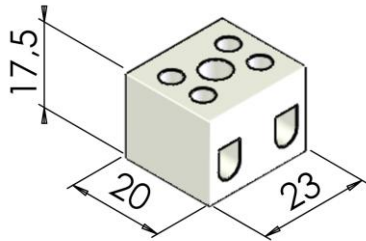
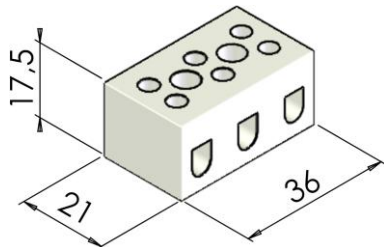


## TERMINAL STRIPS, SCREW-TAB TERMINAL BLOCKS



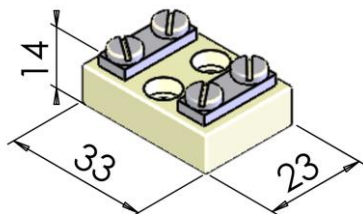
### 2-pole terminal strip

- Ceramic body, temperature-resistant up to 500 °C
- Voltage  $U_{\max}$  500 V
- Amperage  $I_{\max}$  10 A
- Connection via wire end ferrules



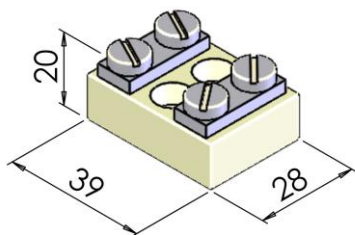
### 3-pole terminal strip

- Ceramic body, temperature-resistant up to 500 °C
- Voltage  $U_{\max}$  500 V
- Amperage  $I_{\max}$  10 A
- Connection via wire end ferrules



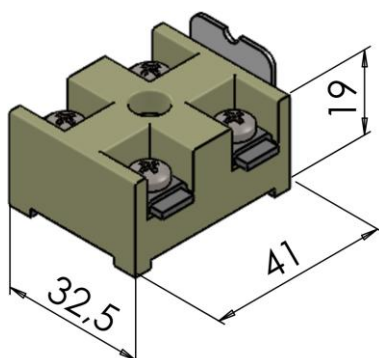
### 2-pole screw-tab terminal block M3.5

- Ceramic body, temperature-resistant up to 500 °C
- Voltage  $U_{\max}$  500 V
- Amperage  $I_{\max}$  10 A
- Recommended cable lug: pure nickel, 4.5 mm



### 2-pole screw-tab terminal block M5

- Ceramic body, temperature-resistant up to 500 °C
- Voltage  $U_{\max}$  500 V
- Amperage  $I_{\max}$  16 A
- Recommended cable lug: pure nickel, 5.5 mm



### 2-pole screw-tab terminal block M5

- Ceramic body, temperature-resistant up to 500 °C
- Voltage  $U_{\max}$  500 V
- Amperage  $I_{\max}$  16 A
- Recommended cable lug: pure nickel, 5.5 mm